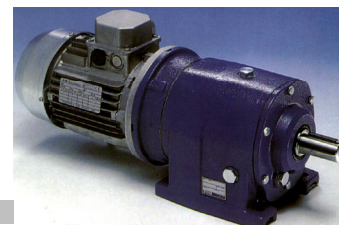


- *Reductores y Motorreductores*

- *Motores*

- *Variadores de Velocidad*



2015

ABACtransmisiones S.R.L.

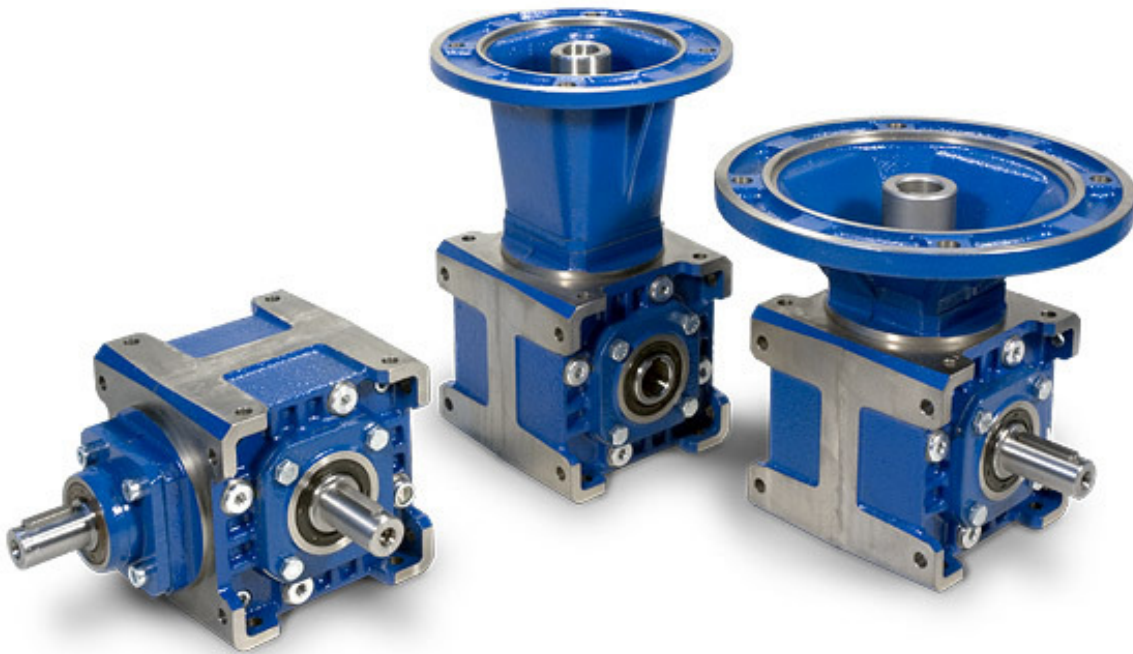
Marcos Sastre 4796 - Buenos Aires - Argentina

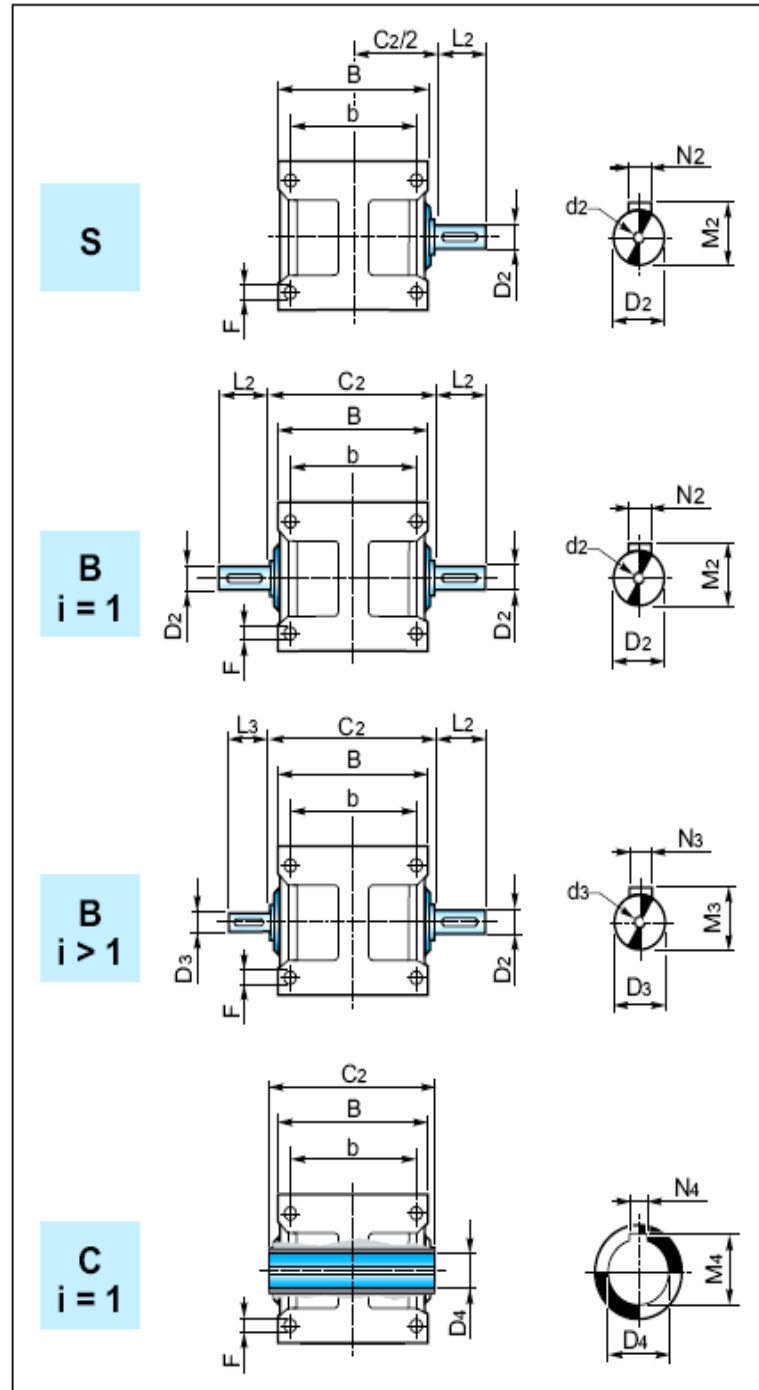
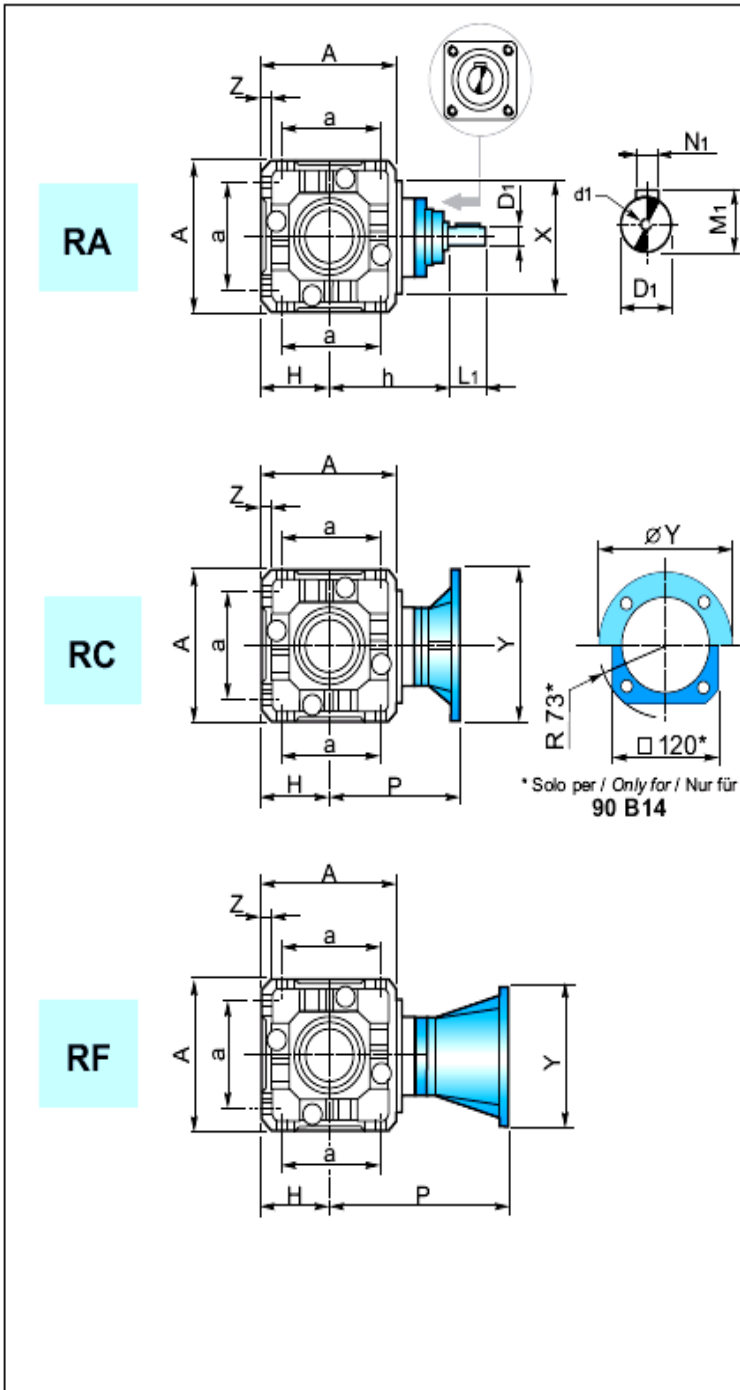
Telefax:(54-11) 4566-3609 // 4648-2034

E-MAIL: abac@abactransmisiones.com.ar

CAJAS CONICAS


**RA, RC
RF**






		RA...- RC...- RF...				
		19	24	28	38	48
A	i = 1	112	142	180	224	280
a		80	100	130	160	190
B		128	146	175	204	230
b		110	125	145	175	200
C2		130	150	180	210	240
D2 _{h6}		19	24	28	38	48
d2		M8	M8	M8	M10	M12
M2		21.5	27	31	41	51.5
N2		6	8	8	10	14
F		7	9	11	13	15
H	i > 1	56	71	90	112	140
L2		40	50	60	80	110
Z		7	9	10	13	15
D3 _{h6}		19	24	28	38	48
d3		M8	M8	M8	M10	M12
L3		40	50	60	80	110
M3		21.5	27	31	41	51.5
N3		6	8	8	10	14
D4 _{H7}		20	25	30	40	50
M4		22.8	28.3	33.3	43.3	53.8
N4	6	8	8	12	14	
D3 _{h6}	i > 1	14	19	24	28	38
d3		M6	M8	M8	M10	M10
L3		30	40	50	60	80
M3		16	21.5	27	31	41
N3		5	6	8	8	10


		RA				
		19	24	28	38	48
h	i = 1	101	120	147	170	207.5
D1 _{h6}		19	24	28	38	48
d1		M8	M8	M8	M10	M12
M1		21.5	27	31	41	51.5
N1		6	8	8	10	14
h	i > 1	110	130	160	190	237.5
D1 _{h6}		14	19	24	28	38
d1		M6	M8	M8	M8	M10
M1		16	21.5	27	31	41
N1		5	6	8	8	10
L1	i = 1	30	40	50	60	80
X	i > 1	90	110	130	150	175
kg		8.5	14	23	38	62
		RC...- RF...				
kg		11.5	19	33	55	82



		RC...								
		19				24				
IEC		63 B5	71 B5	80/90 B5	80 B14	71 B5	80 B5	90 B5	90* B14	100/112 B5
Q		—	—	—	—	—	—	—	120	—
Y		140	160	200	120	160	200	200	146	250
P	i = 1	—	—	131	131	—	—	148	148	158
P	i > 1	113	120	140	140	138	158	158	158	168



		RC...											
		28			38				48				
IEC		80/90	100/112	132	80/90	100/112	132	160/180	100/112	132	160	180	200
Y		200	250	300	200	250	300	350	250	300	350	350	400
P	i = 1	—	181	203	—	—	216	246	220	270	270	270	270
P	i > 1	184	194	216	204	214	236	266	250 (i=2.5 - 5) 260 (i=10)	300 (i=2.5 - 5)		310 (i=10)	



		RF...																	
		19			24			28			38			48					
IEC		63	71	80/90	71	80/90	100/112	80/90	100/112	132	80	90	100/112	132	160/180	100/112	132	160/180	200
Y		140	160	200	160	200	250	200	250	300	200	200	250	300	350	250	300	350	400
P	i = 1	158	165	186	194	215	225	252	262	283	—	285	295	316	346	354	373	405	405
P	i > 1	167	174	195	204	225	235	265	275	296	305	305	315	336	366	384	403	435	435

ABACtransmisiones S.R.L.

Marcos Sastre 4796 - Buenos Aires - Argentina

Telefax:(54-11) 4566-3609 // 4648-2034

E-MAIL: abac@abactransmisiones.com.ar

R	n ₁ = 1400			RC - RF			RA	
	in	ir	n ₂ rpm	T ₂ Nm	P1 kW	FS'	T _{2M} Nm	P kW
19	1	1	1400	12	1.8	3	35	5.5
	2.5	2.56	546	30	1.8	1.6	50	3
	5	4.90	285	48	1.5	1	48	1.5
	10	9.85	142	48	0.75	1	48	0.75
24	1	1	1400	26	4	2.7	73	11
	2.5	2.56	546	68	4	1.4	93	5.5
	5	4.90	285	97	3	1	97	3
	10	9.85	142	98	1.5	1	98	1.5
28	1	1	1400	61	9.2	2.4	146	22
	2.5	2.56	546	156	9.2	1.2	187	11
	5	4.90	285	179	5.5	1	179	5.5
	10	9.85	142	196	3	1	196	3
38	1	1	1400	146	22	2	291	45
	2.5	2.56	546	373	22	1	365	22
	5	4.90	285	357	11	1	350	11
	10	9.85	142	359	5.5	1	350	5.5
48	1	1	1400	199	30	3	596	90
	2.5	2.56	546	509	30	1.5	763	45
	5	4.90	285	715	22	1	715	22
	10	9.85	142	717	11	1	717	11

R	i	IEC									
		63	71	80	90	100	112	132	160	180	200
19	1	RF		RC - RF							
	2.5-5-10	RC - RF									
24	1	RF			RC - RF						
	2.5-5-10	RC - RF									
28	1	RF				RC - RF					
	2.5-5-10	RC - RF									
38	1	RF					RC - RF				
	2.5-5-10	RC - RF									
48	1	RC - RF									
	2.5-5-10	RC - RF									